

# **SIEMENS**

SIMATIC NET

**Quad-Band GSM-Antenne SINAUT 794-4MR**  
**Quad-Band GSM Antenna SINAUT 794-4MR**

**Betriebsanleitung**  
**Operating Instructions**

**C79000-G8974-C213**

**Ausgabe / Release 02/2006**

## Safety Guidelines

This manual contains notices you have to observe in order to ensure your personal safety, as well as to prevent damage to property. The notices referring to your personal safety are highlighted in the manual by a safety alert symbol, notices referring only to property damage have no safety alert symbol. These notices shown below are graded according to the degree of danger.



---

### Danger

indicates that death or severe personal injury **will** result if proper precautions are not taken.

---



---

### Warning

indicates that death or severe personal injury **may** result if proper precautions are not taken.

---



---

### Caution

with a safety alert symbol, indicates that minor personal injury can result if proper precautions are not taken.

---

---

### Caution

without a safety alert symbol, indicates that property damage can result if proper precautions are not taken.

---

---

### Notice

indicates that an unintended result or situation can occur if the corresponding information is not taken into account.

---

If more than one degree of danger is present, the warning notice representing the highest degree of danger will be used. A notice warning of injury to persons with a safety alert symbol may also include a warning relating to property damage.

## Qualified Personnel

The device/system may only be set up and used in conjunction with this documentation. Commissioning and operation of a device/system may only be performed by **qualified personnel**. Within the context of the safety notes in this documentation qualified persons are defined as persons who are authorized to commission, ground and label devices, systems and circuits in accordance with established safety practices and standards.

## Prescribed Usage

Note the following:



---

### Warning

This device may only be used for the applications described in the catalog or the technical description and only in connection with devices or components from other manufacturers which have been approved or recommended by Siemens. Correct, reliable operation of the product requires proper transport, storage, positioning and assembly as well as careful operation and maintenance.

---

## Trademarks

All names identified by ® are registered trademarks of the Siemens AG. The remaining trademarks in this publication may be trademarks whose use by third parties for their own purposes could violate the rights of the owner.

## Disclaimer of Liability

We have reviewed the contents of this publication to ensure consistency with the hardware and software described. Since variance cannot be precluded entirely, we cannot guarantee full consistency. However, the information in this publication is reviewed regularly and any necessary corrections are included in subsequent editions.

## Characteristics

A fixed antenna for mounting to vertical surfaces with the following functions and features:

- Suitable for **Quad-Band** Radio networks (GSM 850, 900, 1800, 1900)
- Suitable for **UMTS**, 3G Radio network
- Suitable for external and internal use
- Improves the field strength in public buildings, halls, underground garages, concrete/steel buildings, subways, tunnels in conjunction with repeaters
- Avoid metallic surfaces close to the antenna
- Radiator protected with plastic tube
- RF cable connected directly to antenna element

## Ordering Data

Quad-Band GSM Antenna SINAUT 794-4MR	6NH9860-1AA00
--------------------------------------	---------------

## Technical Specifications

### Mechanical Properties

Connector	SMA (m) plug for connection to modem MD 720-3 or MD 740-1.
Cover material	Rigid PVC, UV resistant
Weight	Antenna with 5 m cable: 310 g Fixing bracket and mounting parts: 54 g

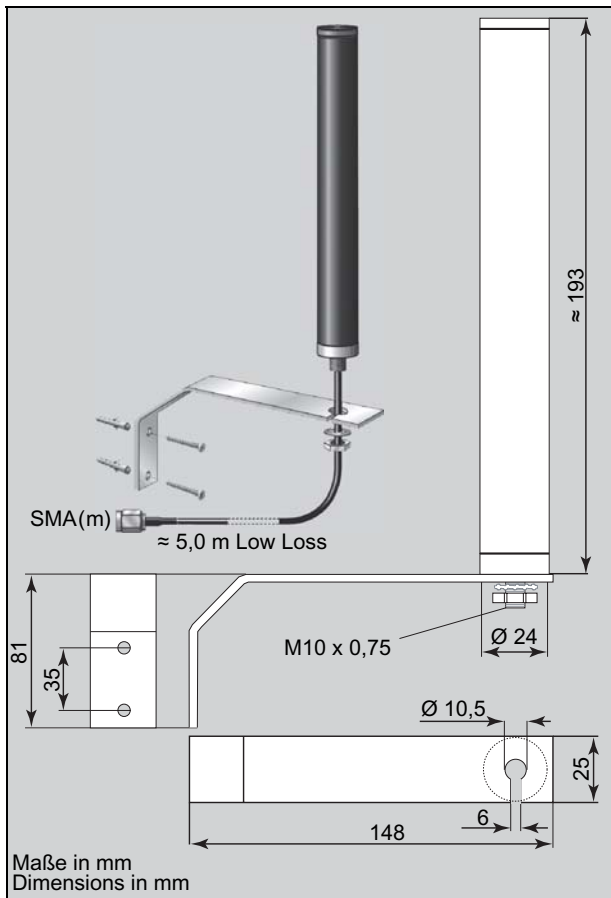
### Electrical Properties

Radio networks	GSM 850, 900	GSM 1800	GSM / UMTS
Frequency range	824 ~ 960 MHz	1710 ~ 1880 MHz	1900 ~ 2200 MHz
Impedance	50 Ohms		
VSWR	≤ 2.0		
Gain	0 dB		
Max. Power	20 W		
Polarization	linear vertical		
Operating temperature	-40° C ... 70° C		

## Service & Support on the Internet

- You will find the latest version of this documentation on the internet  
<http://www.siemens.com/automation/service&support> under the entry ID 22549657.

## Dimension Drawing



## Return loss

